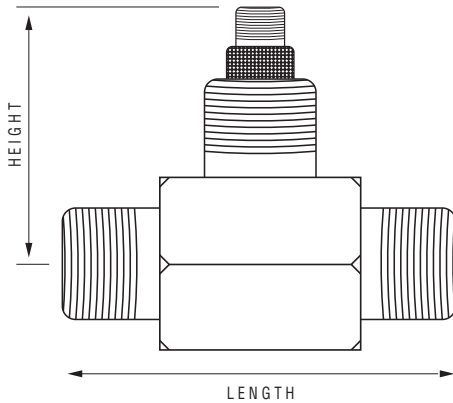




Meter Dimensions

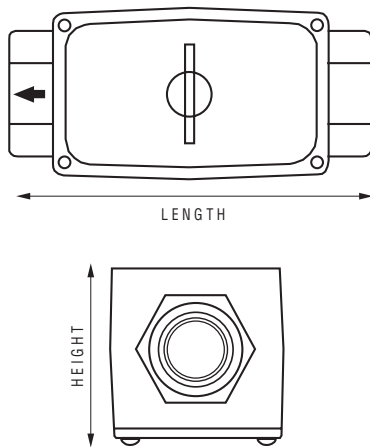
G Series Precision Meters



Size	NPT and Flared Tubing		Sanitary Clamp and ACME Thread		Flanged*	
	Length inches (mm)	Height inches (mm)	Length inches (mm)	Height inches (mm)	Length inches (mm)	Height inches (mm)
1/2 in.	2.75 (70)	2.56 (65)	2.75 (70)	2.56 (65)	—	—
3/4 in.	3.25 (82)	2.62 (66)	3.25 (82)	2.62 (66)	5.50 (140)	2.00 (50)
1 in.	3.56 (90)	2.75 (70)	3.56 (90)	2.75 (70)	5.50 (140)	2.12 (54)
1-1/2 in.	4.59 (116)	3.00 (76)	4.59 (116)	3.00 (76)	6.00 (152)	2.50 (63)
2 in.	6.06 (154)	3.25 (82)	6.06 (154)	3.25 (82)	6.50 (165)	3.00 (76)
3 in.	10.00 (254)	3.50 (89)	—	—	10.00 (254)	3.75 (95)

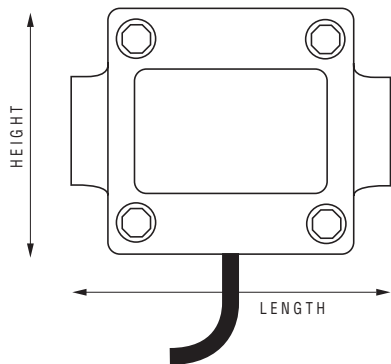
* Height on flange meters, measures from center line to top of flange.

G2 Industrial Grade Meters



Model	Length inches (mm)	Height inches (mm)	Model	Length inches (mm)	Height inches (mm)
A05	4.2 (107)	1.8 (45.8)	H05	4.2 (107)	1.8 (45.8)
A07	4.3 (109)	2.0 (50.8)	H07	4.3 (109)	2.0 (50.8)
A10	4.5 (114)	2.2 (55.9)	H10	4.5 (114)	2.2 (55.9)
A15	5.3 (135)	2.8 (71.1)	H15	5.3 (135)	2.8 (71.1)
A20	6.3 (160)	3.2 (81.2)	H20	6.3 (160)	3.2 (81.2)
B05	4.2 (107)	1.8 (45.8)	P05	7.3 (185)	3.2 (81.2)
B07	4.3 (109)	2.0 (50.8)	P10	8.1 (206)	3.3 (83.5)
B10	4.5 (114)	2.2 (55.9)	S05	4.2 (107)	1.8 (45.8)
B15	5.3 (135)	2.8 (71.1)	S07	4.3 (109)	2.0 (50.8)
B20	6.3 (160)	3.2 (81.2)	S10	4.5 (114)	2.2 (55.9)
C05	7.3 (185)	3.2 (81.2)	S15	5.3 (135)	2.8 (71.1)
C10	8.1 (206)	3.3 (83.5)	S20	6.3 (160)	3.2 (81.2)

GM Series Oval Gear Meters



Model	Length inches (mm)	Height inches (mm)	Model	Length inches (mm)	Height inches (mm)
GM001	2.58 (65.0)	1.97 (50.0)	GM015	8.35 (212.0)	5.67 (144)
GM002	2.58 (65.0)	1.97 (50.0)	GM020	9.45 (240.0)	7.01 (178)
GM003	2.58 (65.0)	1.97 (50.0)	GM505	3.94 (100.0)	4.41 (112)
GM005	3.94 (100.0)	3.78 (96)	GM510	6.70 (170.1)	4.41 (112)
GM007	4.25 (107.9)	3.94 (100)	GM515	9.45 (240.0)	7.01 (178)
GM010	6.70 (170.1)	4.41 (112)	GM520	9.45 (240.0)	7.01 (178)

BUY SMART . BUY VALUE . BUY **GPI**