

Pulser RD

for cold and hot water meters
Dynamic



Special Features

- Simple installation
- Pulsers can be fitted without breaking the meter seal
- Two different pulse values

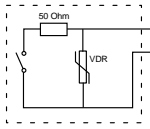
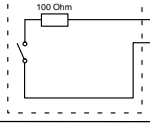
Application

- RD 01 and RD 011
for cold water meters up to 50 °C
- RD 02 and RD 022
for hot water meters up to 130 °C
- for remote counters and batching systems:
RD 01 and RD 02
- for heat meters:
RD 011 and RD 022

Available Designs

Pulser	Temperature	Order No.
RD 01	50 °C	11 78 01
RD 02	130 °C	11 78 02
RD 011	50 °C	11 78 03
RD 022	130 °C	11 78 04

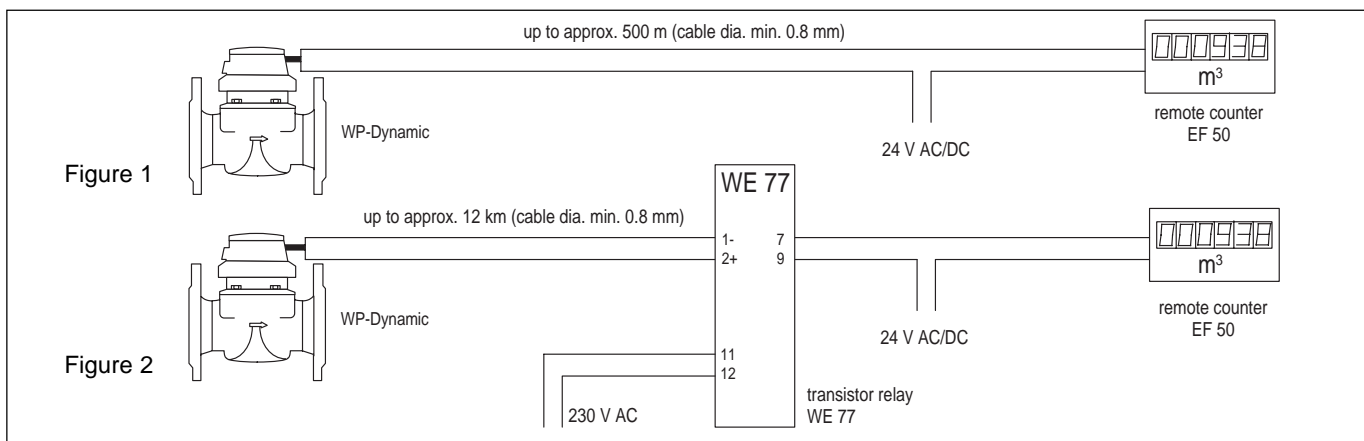
Performance Data

Switching component	Reed switch, plug type	
Switch protection RD 01/02	surge limiting resistor and voltage limiting varistor (VDR) switching voltage $U_{max} = 48 \text{ V AC/DC}$ switching current $I_{max} = 0.2 \text{ A}$ switching power $P_{max} = 4 \text{ W}$	
Switch protection RD 011/022	surge limiting resistor switching voltage $U_{max} = 125 \text{ V AC/DC}$ switching current $I_{max} = 0.035 \text{ A}$ switching power $P_{max} = 2 \text{ W}$	
Pulse duration	depending on flow in the meter at meter stop continuous pulse possible	
Protection	IP 68 (DIN 40050)	
Temperature range	RD 01/011:	ambient temperature $t_{amb} \leq 70 \text{ }^\circ\text{C}$ medium temperature $t_m \leq 50 \text{ }^\circ\text{C}$
	RD 02/022:	ambient temperature $t_{amb} \leq 70 \text{ }^\circ\text{C}$ medium temperature $t_m \leq 150 \text{ }^\circ\text{C}$
Connection cable	length 3 m	

Pulse Values

Size of meter	DN	40 ... 125 1 pulse $\hat{=}$...	150 ... 300 1 pulse $\hat{=}$...
Cold water meter	Standard	1 m ³ 0.1 m ³	10 m ³ 1 m ³
	with a special register	1 m ³ 0.01 m ³	10 m ³ 0.1 m ³
Hot water meter	Standard	0.25 m ³ 0.1 m ³	2.5 m ³ 1 m ³
	with a special register	0.25 m ³ 0.025 m ³	2.5 m ³ 0.25 m ³

Wiring Examples RD Pulser



Subject to change without notice
800222 / 01.2002

H. Meinecke AG
Meineckestrasse
D-30880 Laatzen

Tel. +49 (0)5102 / 74-0
Fax +49 (0)5102 / 74-341
<http://www.meinecke.de>
E-mail: service@meinecke.de

 **MEINECKE**
An Invensys company